

S1 Wet – The versatile wet blast solution for cleaning and surface finishing



Cleaning

Surface finishing

Metal

Polymers

Features & benefits

READY FOR
INDUSTRY 4.0

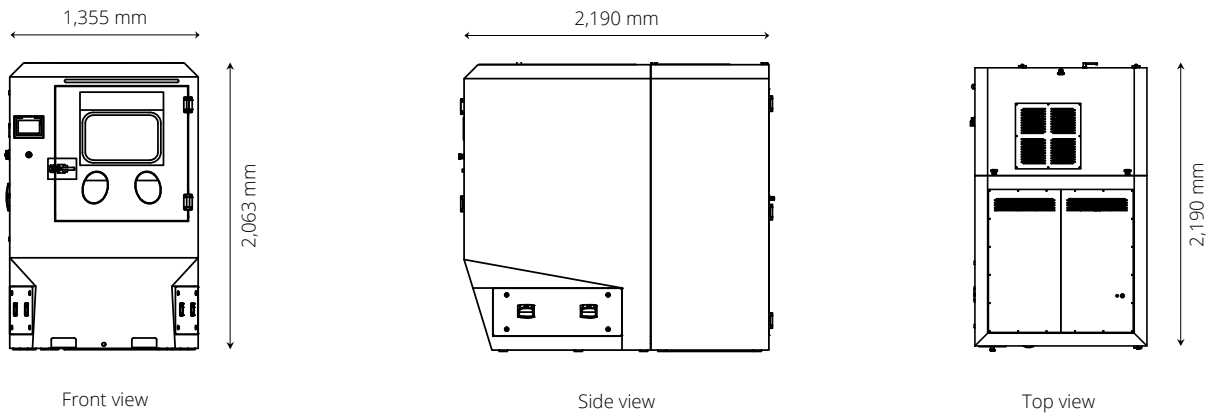
- For cleaning and surface finishing with state-of-the-art process monitoring
- Especially developed for metal printed parts
- Wet blasting technology eliminates dust and explosion risks; no compliance with ATEX regulations required
- Surface smoothing reduces loose powder and as printed surface roughness
- Manual, semi-automatic and fully automatic operation

Technical highlights

The S1 Wet has been developed mainly for post processing metal printed parts. The wet blasting process uses an abrasive media slurry that is accelerated by compressed air to remove residual powder and smooth the part surface. The water based slurry eliminates dust and the creation of sparks on metal and polymer parts, eliminating ATEX requirements. Furthermore, the water cushions the impact of the abrasive particles limiting the risk of media impregnation in the surface. The system can

run with angular abrasive or spherical media. The process is controlled and monitored via a PLC, ensuring repeatable, high quality results. This S1 Wet has been designed as a versatile tool for the users. It can be equipped with turning basket, turntable, nozzle movements, and additional options to meet your specific processing needs. Several different water recirculation and filtration options ensure closed loop water conditioning for a sustainable process.

Equipment layout



Equipment specifications

Technical data
Dimensions of blast chamber: Width x Depth x Height: 1,094 x 776 x 1,029.5 mm
Door dimensions (excl. cutting edge): W=902, H=872 mm
Vertical gantry stroke: 750 mm Horizontal gantry stroke: 350 mm
Diameter of turntable: Ø 400 mm
Optional: motorized basket, concentration control, reinforced hard foundry pump
Noise level less than 80 dB(A) @4b
Basket capacity: 5, 8, 12, 15, 20 or 30 liters

Electrical connection
Supply voltage standard: 400 V, 50 Hz, 3Ph + PE*
Control voltage: 24 V DC
City water connection: G1" 2 bars min
Compressed air connection: G1" 6/7 bars

*Optional: 60 Hz; different connection voltage like US on request also available

Possible work piece dimensions (mm)

