

S2 – Unique parts handling and fully automated post-processing

INNOVATION



Cleaning

Surface Finishing

Polymers

Features & benefits

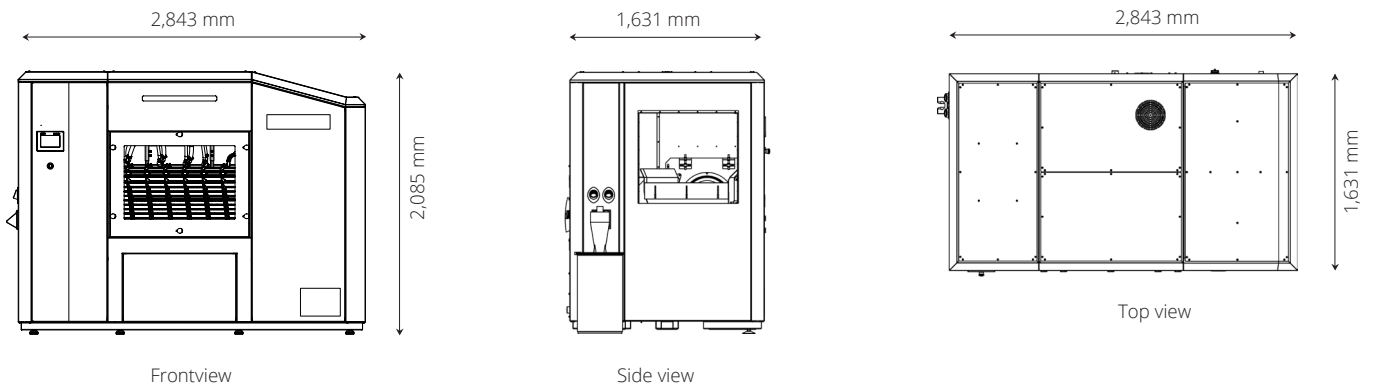
- Gentle part handling and uniform blast processing due to the unique continuous loop belt design
- No discoloration of parts due to the polyurethane loop belt and blast media conditioning
- Automated processing of complete print jobs, independent of the printer manufacturer
- Monitoring of the blasting process ensures reproducible blasting results and consistent quality
- Efficient blast media recycling
- Compact design with plug-and-play connections
- Integrated sound insulation with special door seals

Technical highlights

The S2 is the perfect solution for cleaning and surface finishing of plastic components, produced with powder-bed printing systems. The compact S2 system can handle the output of multiple printers simultaneously. The automated process from loading the print job, cleaning and surface finishing to transferring the finished parts is achieved in a short cycle without the need for manual transfers. In addition,

the unique polyurethane continuous loop belt and blast media conditioning system prevents any discoloration of the parts. Furthermore, real time monitoring of the blasting process parameters ensures reproducible blasting results and consistent quality. Due to its compact design and high software compatibility, the S2 can easily be integrated into your existing production set-up.

Equipment layout

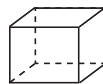


Equipment specifications

Technische Daten	Installationshinweise
Dimensions of loop belt: L = 1,000 mm, Ø = 335 mm	Supply voltage standard: 400 V, 50 Hz, 3 Ph/N/PE*, CEE32A connector
Number of blasting nozzles: 4	Control voltage: 24 V DC
Batch volume: 70 liters of bulk material	Compressed air: 6 bar, 1 inch supply line, Safety compressor coupling on hose nozzle, Ø = 25 mm
Blasting agent replenishment: 30 liters	Compressed air volume: 218 m³/h
Noise level: < 78 dB(A)	Transport: Forklift truck with long tines
Blasting media recommendation: GP30, GP60, RPB-E30, RDP	Machine empty weight: ≈ 2.320 kg

*Different connection voltage like US on request also available

Possible work piece dimensions (mm; w x d x h)



Minimum size: 10 x 10 x 10
Maximum size: 300 x 100 x 150

